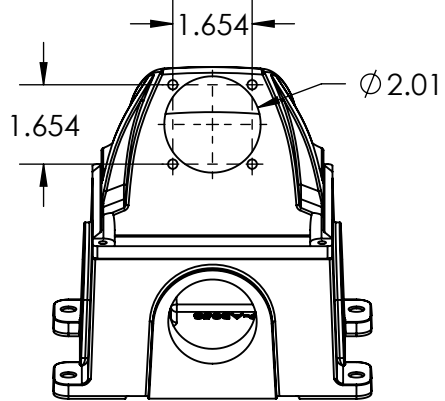
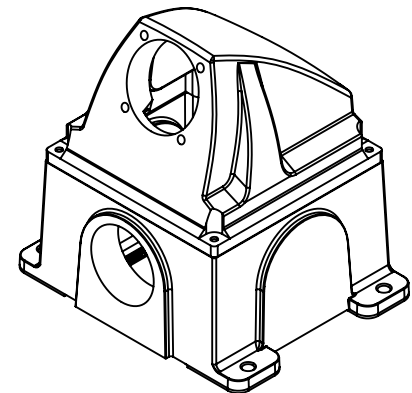
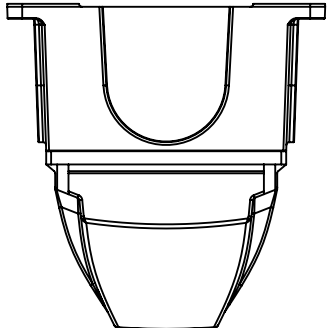
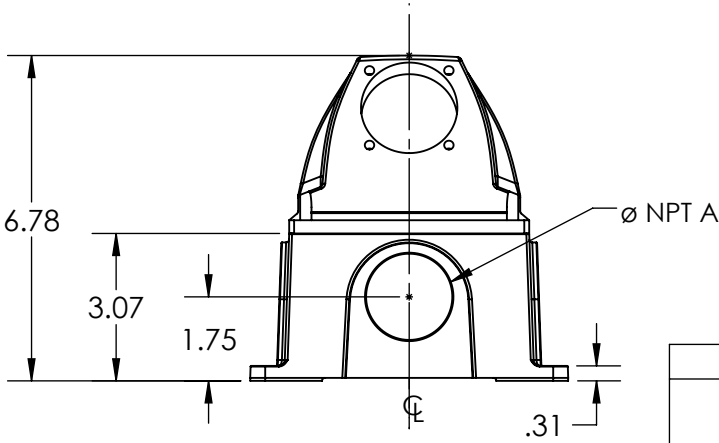
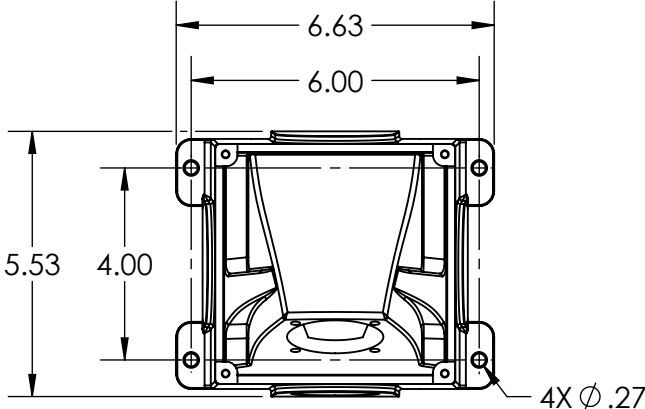
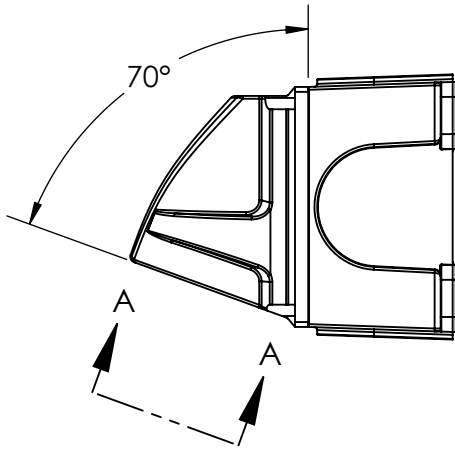


This drawing is the property of MELTRIC Corporation, Franklin (Milwaukee) Wisconsin, USA. Any unauthorized copying of this drawing by any means, ENG/RD/06 REV: 20 ISSUED DATE: 1/15/11 or disclosure of its contents to any person not authorized by MELTRIC Corporation or its agents to receive it, is strictly prohibited.

G F E D C B A



VIEW A-A
70°



PART NUMBER	NPT A SIZE
711C7N05	1/2" NPT
711C7N07	3/4" NPT
711C7N10	1" NPT
711C7N12	1-1/4" NPT
711C7N15	1-1/2" NPT

TOLERANCES UNLESS OTHERWISE SPECIFIED	
MACHINED SURFACES $\sqrt[125]{\text{MAX}}$	ENGLISH 0.X ±0.05 0.XX ±0.01 0.XXX ±0.005
GROUND SURFACES $\sqrt[32]{\text{MAX}}$	
ANGLE TOLERANCE ±1°	
REMOVE BURRS & SHARP EDGES TO .015 MAX.	
DIMENSIONS SHOWN IN OVALS ARE INSPECTION DIMENSIONS.	

MELTRIC A COMPANY OF MARÉCHAL ÉLECTRIC		DRAWING TITLE:	
DRAWN	APPROVED	POLY 70°, ALUMINUM WALL BOX	
DATE:	SCALE	MATERIAL:	
	NTS	METAL BOX WITH POLY ANGLE	
SHEET:	PART NUMBER	REVISION	
1 OF 1	711C7Nxx		